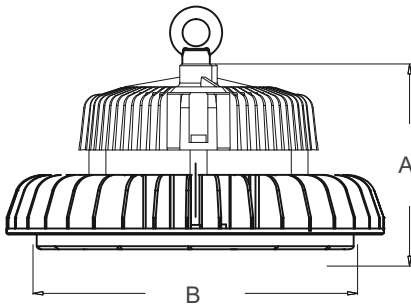


FEATURES



- Moisture and dust resistant.
- Smooth and uniform light output void of flicker or humming noise.
- Sleek and modern aesthetics combined with a rugged construction.
- Dimming option available, mode - Voltage (1-10V DC), PWM signal (10V).
- Inputs voltage range : 100 -277 V, 50-60Hz.

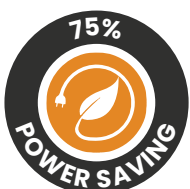
PHYSICAL PARAMETERS



Wattage	A (in)	B (in)
100 W-150 W	11.06	5.90
200 W-240 W	11.85	6.42
240 W-300 W	12.06	6.03
400 W-500 W	14.02	8.66

DESCRIPTION

The Averlite LED UFO High Bay comes with multiple lumen packages, distributions and meets DLC qualifications. It is designed to offer the necessary optical freedom and flexibility to meet the needs of a wide variety of lighting applications, not to mention the additional value of power efficiency! It is a direct replacement of the traditional HID fixtures.



ORDERING INFORMATION

SERIES CODE

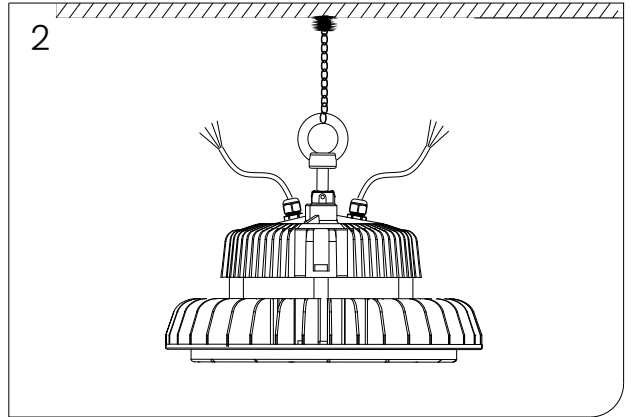
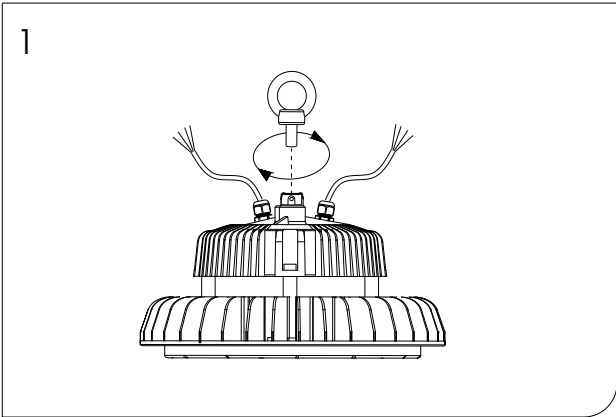
Model Number	Wattage	CCT Optional	CRI	Efficacy	Diffuser Type
201D0100WCVRXY	100 W	2700 K - 5700 K	70+	140 lm/W	Toughened Glass
201D0150WCVRXY	150 W	2700 K - 5700 K	70+	140 lm/W	Toughened Glass
202D0200WCVRXY	200 W	2700 K - 5700 K	70+	140 lm/W	Toughened Glass
202D0240WCVRXY	240 W	2700 K - 5700 K	70+	140 lm/W	Toughened Glass
211D0300WCVRXY	300 W	2700 K - 5700 K	70+	140 lm/W	Toughened Glass
212D0400WCVRXY	400 W	2700 K - 5700 K	70+	140 lm/W	Toughened Glass
212D0500WCVRXY	500 W	2700 K - 5700 K	70+	140 lm/W	Toughened Glass

FIXTURE DETAILS

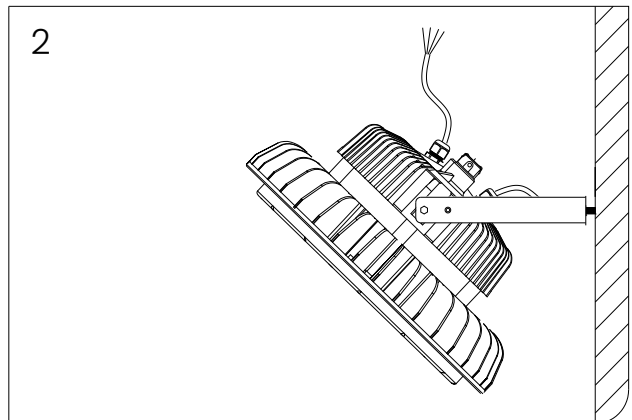
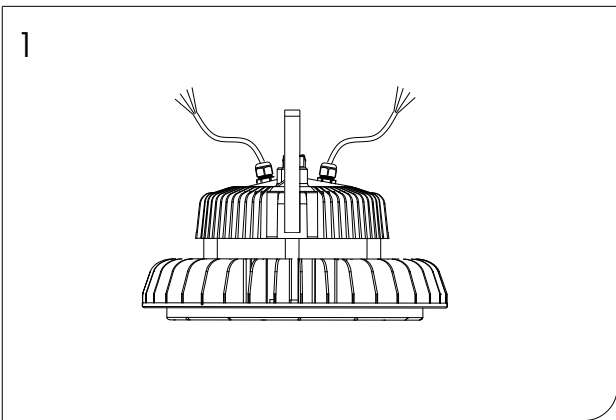
Efficacy	140 lm/W						
Wattage	100 W	150 W	200 W	240 W	300 W	400 W	500 W
Lumen Output	14000 lm	21000 lm	28000 lm	33600 lm	42000 lm	56000 lm	70000 lm
Heat Sink Type	High Pressure Die-Cast						
LED Brand and Package	CREE / BRIDGELUX 3030 Package 1W						
Number of LEDs	130	225	352	396	464	700	900
Typical LED Lumens	152 lm						
Operating Temperature	- 20° F to +120° F						
IP Rating	IP66						
Driver	MEANWELL / SOSEN						
Driver Current to LED	1.5 A	2.6 A	3.75 A	4.5 A	5.95 A	8.9 A	8.9 A
Power Factor	> 0.95						
Diffuser Type	Toughened Glass						
Diffuser Thickness	3 mm						
PCB Thickness	1.6 mm						
Heat Sink Weight	4.0 Kg	4.5 Kg	6.0 Kg	6.0 Kg	6.0 Kg	10.5 Kg	10.5 Kg

MOUNTING OPTIONS

A. CHAIN MOUNT



B. BRACKET MOUNT



C. HOOK MOUNT

