

LED RGB FLOOD LIGHT SERIES

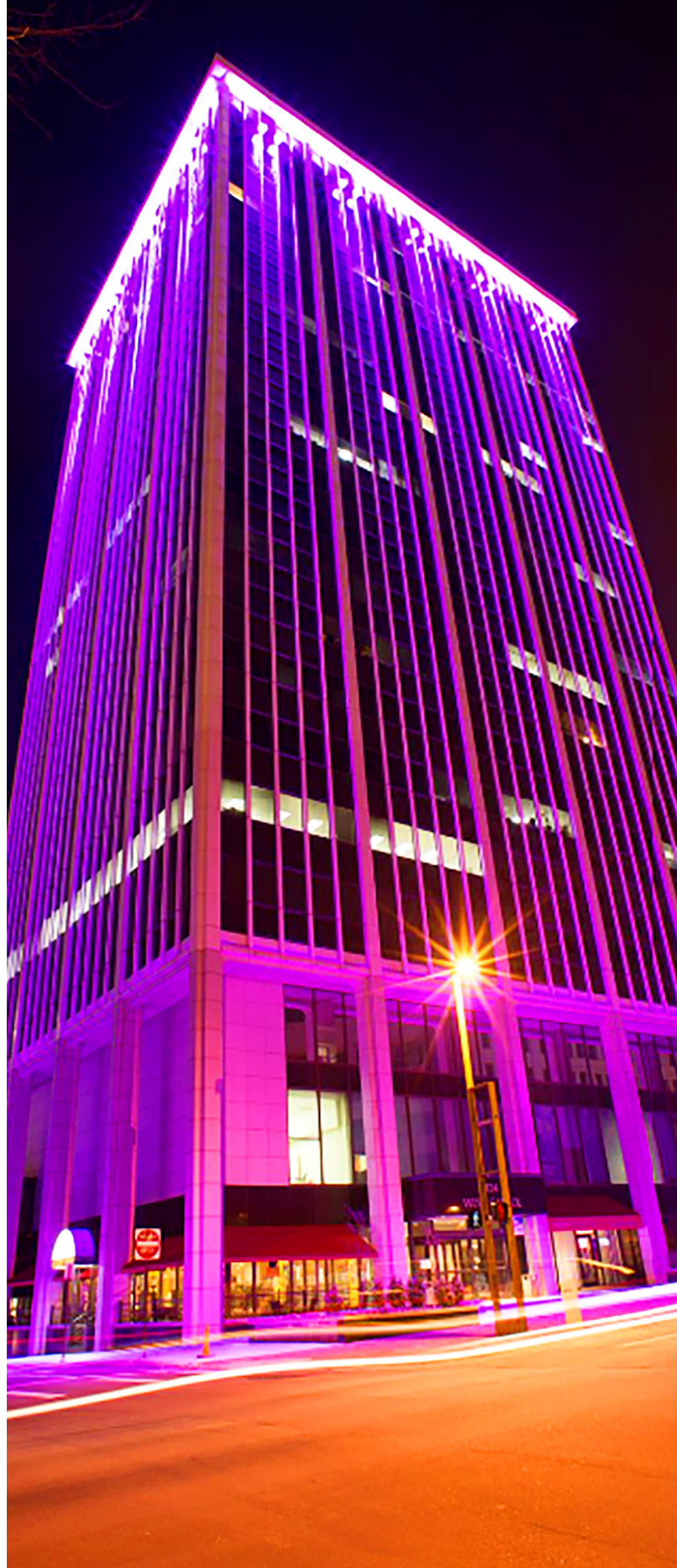
SES-FL01

DMX512 Version Pictured



Technical Specifications

Size:	8.3" L x 10" W x 4" D
Watts:	36W 60W
Lumen:	2880lm 4800lm
CCT:	RGB
Voltage:	AC100-277V
Beam Angle:	30° 60° 90°
PF:	≥0.9
IP Rate:	IP65
Housing Color:	Gray, Black, Brown
Control Method:	Remote or DMX512
Lifespan:	30,000 hours

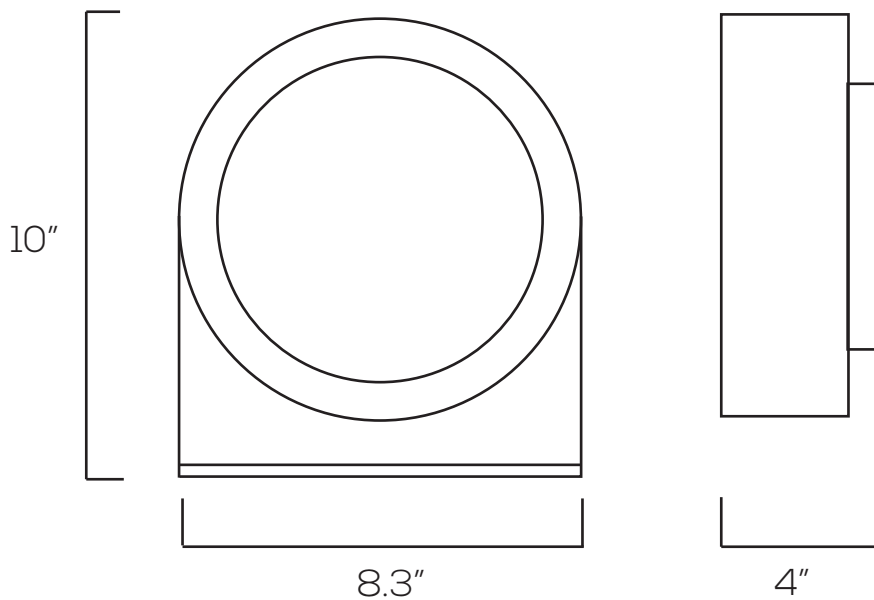


Features

SARIN Energy is proud of its high-quality LED RGB Flood Light Series. This revolutionary product adopts the latest technology, replacing traditional bulbs with energy efficient LEDs. These are widely used in the lighting of homes, hotels, offices and other commercial spaces. The model with four wires is controlled by DMX512, and the model with one wire is controlled with a RF remote.



Dimensions



Remote Version Pictured



Model Numbers

10394: SES-FL01-RGB-36-30D-REMOTE

10372: SES-FL01-RGB-36-60D-REMOTE

10397: SES-FL01-RGB-36-90D-REMOTE